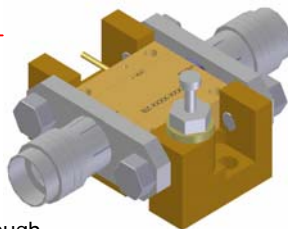


Features

- **Power Out 1 dB comp. 21.5 dBm**
- Unconditionally Stable at all temperatures
- Internally Regulated DC Voltage
- 50 Ohm Matched Input/Output
- Field Replaceable SMA connectors
- Excellent Group Delay and Phase Linearity
- 0.009 inches diameter RF In/Out feed through
- 3 Year Warranty

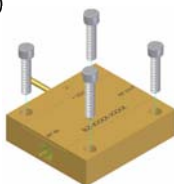


Specifications (23 °C)

Parameter	Min	Typ	Max	
Frequency Range	0.5	-	18	GHz
Noise Figure			4.3	dB
Gain	30	33	-	dB
Gain Flatness	-		±2.8	dB
*P1dB Output Power	21.5		-	dBm
Input VSWR	-	2.3:1	2.5:1	
Output VSWR	-	2.0:1	2.3:1	
Operating Temperature	-55	-	+85	°C
**Voltage	+14.5	-	+15.5	V
Current	-	345	375	mA

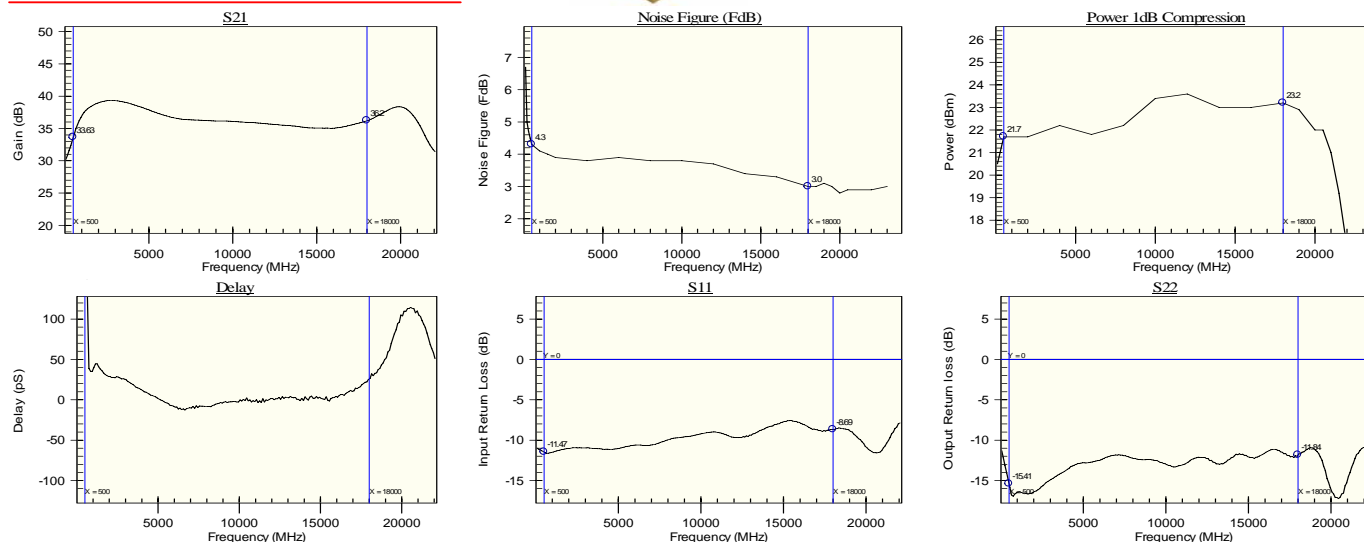
Options

- **Optimized Performance over Selected Bandwidth**
- Internally DC Block Input (Output DC Block Standard)
- Hermetically Sealed Package
- Gain and Phase matching
- Extended bandwidth to 100 MHz.
- Internal D.C. Voltage regulation

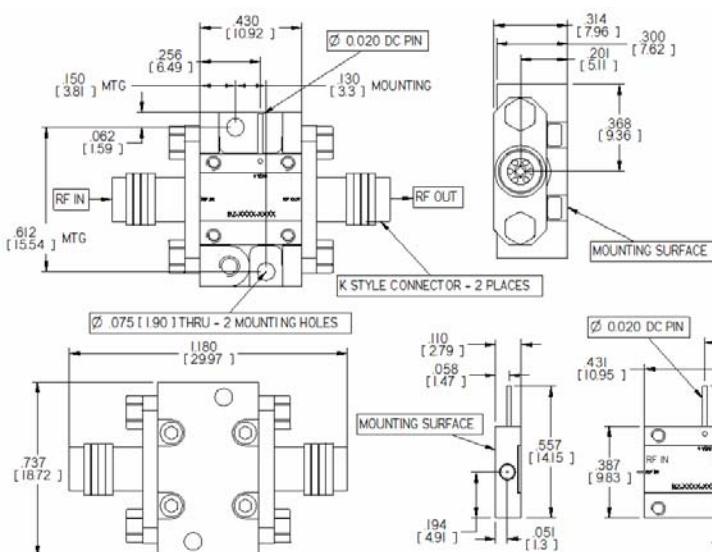


*IMP: UNIT REQUIRES HEAT SINK.
 ** Input +15V with Internal D.C. voltage Regulation available

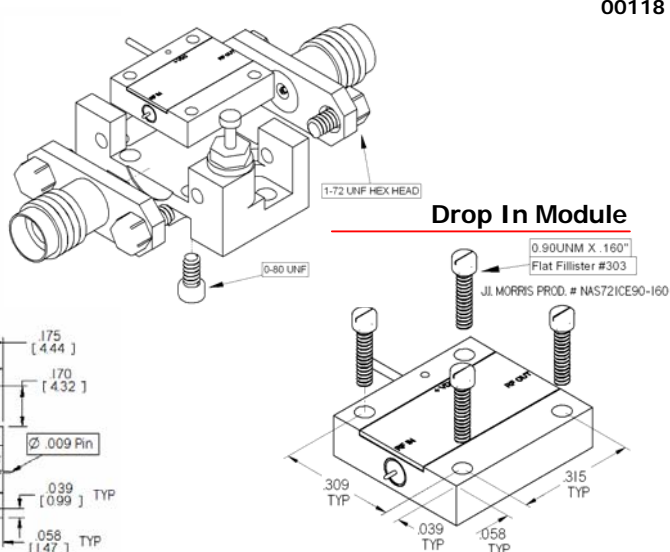
Performance Graphs



Outline Drawing



Mounting Drawing



00118